

INSTRUCTION MANUAL

Schools / TAFE - DS-380 Disc Sander (240V) 380mm



K8150



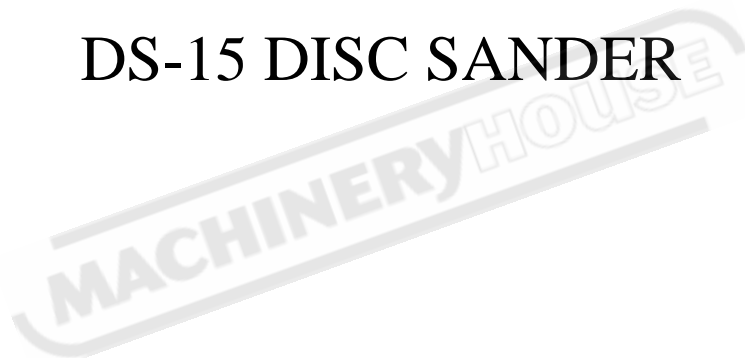
Established 1930

Distributors of new & used workshop Equipment

L1352 240V

L1354 415V

DS-15 DISC SANDER



INSTRUCTION & PARTS MANUAL

10-11-10

L1352 L1354



HARE & FORBES

MACHINERY HOUSE

Established 1930

Distributors of New & Used Workshop Equipment

15" DISC SANDER

MODEL: DS-15S

**WARNING !**

Do not operate this unit until reading and becoming familiar with the entire operation manual.

**WARNING !**

Do not use this Sander System near flammable or combustible liquids, gases, gasoline or other fuels, lighter fluid, cleaners, oil-based paints, natural gas, hydrogen, or explosive dusts like coal dust, magnesium dust, grain dust, or gun powder.

Contents

IMPORTANT SAFETY RULES.....	3,4
IMPORTANT SAFETY RULES FOR DISC SANDER.....	5
GROUNDING.....	6
EXTENSION CORDS.....	7
MACHINERY DATA.....	8
HOW TO REPLACE THE 15" SANDING PAPER.....	9
HOW TO ADJUST TABLE'S ANGLE.....	10
OPERATION.....	11
NOISE DATA.....	11
PARTS LIST.....	12
EXPLODED DIAGRAM.....	13
ORDERING REPLACEMENT PARTS.....	14

MACHINERYHOUSE

IMPORTANT SAFETY RULES

Woodworking can be dangerous if safe and proper operating procedures are not followed. As with all machinery, there are certain hazards involved with the operation of the product. Using the machine with respect and caution will considerably lessen the possibility of personal injury. However, if normal safety precautions are overlooked or ignored, personal injury to the operator may result.

Safety equipment such as guards, push sticks, hold-downs, featherboards, goggles, dust masks and hearing protection can reduce your potential for injury. But even the best guard won't make up for poor judgment, carelessness or inattention. Always use common sense and exercise caution in the workshop. If a procedure feels dangerous, don't try it. Figure out an alternative procedure that feels safer. **REMEMBER:** Your personal safety is your responsibility.

WARNING : FAILURE TO FOLLOW THESE RULES MAY RESULT IN SERIOUS PERSONAL INJURY

1. **FOR YOUR OWN SAFETY, READ INSTRUCTION MANUAL BEFORE OPERATING THE TOOL.** Learn the tool's application and limitations as well as the specific hazards peculiar to it.
2. **KEEP GUARDS IN PLACE** and in working order.
3. **ALWAYS WEAR EYE PROTECTION.**
4. **GROUND ALL TOOLS.** If tool is equipped with three-prong plug, it should be plugged into a three-hole electrical receptacle. If an adapter is used to accommodate a two-prong receptacle, the adapter lug must be attached to a known ground. Never remove the third prong.
5. **REMOVE ADJUSTING KEYS AND WRENCHES.** Form habit of checking to see that keys and adjusting wrenches are removed from tool before turning it "on".
6. **KEEP WORK AREA CLEAN.** Cluttered areas and benches invite accidents.
7. **DON'T USE IN DANGEROUS ENVIRONMENT.** Don't use power tools in damp or wet locations, or expose them to rain. Keep work area well-lighted.
8. **KEEP CHILDREN AND VISITORS AWAY.** All children and visitors should be kept a safe distance from work area.
9. **MAKE WORKSHOP CHILDPROOF** - with padlocks, master switches, or by removing starter keys.
10. **DON'T FORCE TOOL.** It will do the job better and be safer at the rate for which it was designed.
11. **USE RIGHT TOOL.** Don't force tool or attachment to do a job for which it was not designed.
12. **WEAR PROPER APPAREL.** No loose clothing, gloves, neckties, rings, bracelets, or other jewelry to get caught in moving parts. Non-slip footwear is recommended. Wear protective hair covering to contain long hair.
13. **ALWAYS USE SAFETY GLASSES.** Wear safety glasses. Everyday eyeglasses only have impact resistant lenses; they are not safety glasses. Also use face or dust mask if cutting operation is dusty.
14. **SECURE WORK.** Use clamps or a vise to hold work when practical. It's safer than using your hand and frees both hands to operate tool.
15. **DON'T OVERREACH.** Keep proper footing and balance at all times.
16. **MAINTAIN TOOLS IN TOP CONDITION.** Keep tools sharp and clean for best and safest performance. Follow instructions for lubricating and changing accessories.
17. **DISCONNECT TOOLS** before servicing and when changing accessories such as blades, bits, cutters, etc.
18. **USE RECOMMENDED ACCESSORIES.** The use of accessories and attachments not recommended by us may cause hazards or risk of injury to persons.
19. **REDUCE THE RISK OF UNINTENTIONAL STARTING.** Make sure switch is in "OFF" position before plugging in power cord.
20. **NEVER STAND ON TOOL.** Serious injury could occur if the tool is tipped or if the cutting tool is accidentally contacted.
21. **CHECK DAMAGED PARTS.** Before further use of the tool, a guard or other part that is damaged should be carefully checked to ensure that it will operate properly and perform its intended function - check for alignment of moving parts, binding of moving parts, breakage of parts, mounting, and any other conditions that may affect its operation. A guard or other part that is damaged should be properly repaired or replaced.
22. **DIRECTION OF FEED.** Feed work into a blade or cutter against the direction of rotation of the blade or cutter only.
23. **NEVER LEAVE TOOL RUNNING UNATTENDED. TURN POWER OFF.** Don't leave tool until it comes to a complete stop.
24. **DRUGS, ALCOHOL, MEDICATION.** Do not operate tool while under the influence of drugs, alcohol or any medication.
25. **MAKE SURE TOOL IS DISCONNECTED FROM POWER SUPPLY** while motor is being mounted, connected or reconnected.
26. **WARNING :** The dust generated by certain woods and wood products can be injurious to your health. Always operate machinery in well ventilated areas and provide for proper dust removal. Use wood dust collection systems whenever possible.

GENERAL SAFETY RULES FOR POWER TOOLS

WARNING: When using electric tools the following basic safety precautions should always be followed to reduce the risk of fire, electric shock and personal injury.

PLEASE READ ALL THESE INSTRUCTIONS BEFORE ATTEMPTING TO OPERATE THIS PRODUCT.

1. **KEEP GUARDS IN PLACE**, and in working order.
2. **REMOVE ADJUSTING KEYS AND WRENCHES**. Form habit of checking to see that keys and adjusting wrenches are removed from tool before turning it on.
3. **KEEP WORK AREA CLEAN**. Cluttered areas and benches invite accidents.
4. **DON'T USE IN DANGEROUS ENVIRONMENT**. Do not use power tools in damp or wet location, or expose them to rain. Do not operate them in an area with flammable liquids or gases. Keep work area well lighted.
5. **KEEP CHILDREN AWAY**. All visitors should be kept at a safe distance from work area.
6. **MAKE WORKSHOP CHILD PROOF**. Lock access of your workshop. When not in use, tools should be stored in a dry locked up place, out of reach of children.
7. **DON'T FORCE TOOL**. It will do the job better and safer at the rate for which it was designed.
8. **USE RIGHT TOOL**. Don't force tool or attachment to do a job for which it was not designed.
9. **USE PROPER EXTENSION CORD**. Make sure your extension cord is in good condition. When using an extension cord, be sure to use one heavy enough to carry the current your product will draw. An undersize cord will cause a drop in line voltage resulting in loss of power and overheating.
10. **WEAR PROPER APPAREL**. Do not wear loose clothing, gloves, neckties, rings, bracelet, or others jewellery which may get caught in moving parts. Non-slip footwear is recommended. Wear protective hair covering to contain long hair. Roll long sleeves above elbows.
11. **ALWAYS USE SAFETY GOGGLES**. Everyday glasses only have impact resistant lenses, they are NOT safety glasses. Also use face or dust mask if cutting operation is dusty.
12. **SECURE WORK**. Use clamps or a vice to hold work when practical. It is safer than using your hand and it frees both hands to operate tool.
13. **DON'T OVERREACH**. Keep proper footing and balance at all times.
14. **MAINTAIN TOOL WITH CARE**. Keep tool sharp and clean for best and safest performance. Follow instructions for lubrication and changing accessories.
15. **DISCONNECT TOOLS** before servicing; when changing accessories, such as blades, bits, cutters and the like.
16. **USE RECOMMENDED ACCESSORIES**. Consult the owner's manual for recommended accessories. The use of improper accessories may cause risk of injury to persons.
17. **NEVER STAND ON TOOL**. Serious injury could occur if the tool is tipped or if cutting tool is unintentionally contacted.
18. **CHECK DAMAGED PARTS**. Should any part of the tool be missing, damaged or any electrical component fails to perform properly, turn off the power and remove plug from power supply. Properly repair or replace damaged, missing and/or failed parts before resuming operation.
19. **DIRECTION OF FEED**. Feed work into a blade or cutter against the direction of rotation of the blade or cutter only.
20. **NEVER LEAVE TOOL RUNNING UNATTENDED. TURN POWER OFF**. Don't leave tool until it comes to a complete stop.
21. **DO NOT ABUSE THE CORD**. Do not use cord to disconnect during operation. Never yank the cord to disconnect it from the socket.
22. **ALWAYS KEEP ALERT**. Do not let familiarity gained from frequent use of your tool cause a careless mistake. Always remember that a careless fraction of a second is sufficient to inflict severe injury.
23. **THINK SAFETY**. Safety is a combination of common sense and alertness whenever the tool is in operation.

IMPORTANT SAFETY RULES FOR DISC SANDER

WARNING:

Basic precautions should always be followed when using your disc sander. To reduce the risk of injury, electrical should on fire, comply with the safety rules listed below:

1. **WARNING:** Do not operate your machine until it is completely assembled and installed according to the instructions.
2. **CAUTION:** The machine is designed to sand wood or wood-like products only. Sanding or grinding other materials could result in fire, injury or damage to product.
3. **THIS MACHINE** is intended for indoor use only.
4. **IF YOU ARE NOT** thoroughly familiar with the operation of Abrasive Finishing Machines, obtain advice from your supervisor, instructor or other qualified person.
5. **IF THERE IS ANY TENDENCY** for the machine to tip over or move during certain operations when sanding long or heavy boards, the machine must be securely fastened to a supporting surface.
6. **ALWAYS** hold the work firmly on the table when sanding on the disc.
7. **ALWAYS** sand on downward side of disc when using the disc portion of the machine, so that the work is held securely on the table. Sanding on the upward side of the disc could cause the workpiece to fly up which could be hazardous.
8. **NEVER** wear gloves or hold the work with a rag when sanding.
9. **SAND** with the grain of the wood.
10. **DO NOT** sand pieces of material that are too small to be safely supported.
11. **AVOID** awkward hand positions where a sudden slip could cause a hand to move into the disc.
12. **WHEN** sanding a large workpiece, provide additional support at table height.
13. **DO NOT** sand with the workpiece unsupported. Support the workpiece on the worktable.
14. **ALWAYS** remove scrap pieces and other objects from the table, backstop before turning the machine "ON"
15. **NEVER** perform layout, assembly or set-up work on the table while the sander is operating.
16. Always turn the machine "OFF" and disconnect the cord from the power source before installing or removing accessories.
17. **NEVER** leave the machine work area when the power is "ON" or before the machine has come to a complete stop.
18. Make sure sanding disc runs in the proper direction.
19. Make sure the sanding disc is not turn or loose.

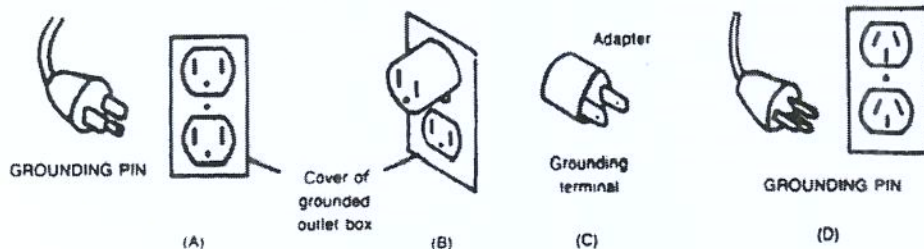
GROUNDING (North America and Australia Only)

1. In the event of a malfunction or breakdown, grounding provides a path of least resistance for the electric current, to reduce the risk of electric shock. This machine is equipped with an electrical cord that has an equipment grounding conductor and a grounding plug. The plug must be plugged into a matching outlet that is properly installed and grounded in accordance with all local codes and ordinances.
2. Do not modify the plug provided. If it will not fit the outlet, have the proper outlet installed by a qualified electrician.
3. Improper connection of the equipment grounding conductor can result in the risk of electric shock. The conductor with the green outer insulation (with or without a yellow stripe), is the equipment grounding conductor. If repair or replacement of the electrical cord is necessary, do not connect the equipment grounding conductor to a live terminal.
4. Check with a qualified electrician or serviceman if the grounding instructions are not completely understood, or if there is doubt as to whether the machine is properly grounded.
5. Using only three-wire extension cords that have three-prong grounding plugs and three pole receptacles that accept the tool's plug.
6. Repair or replace damaged or worn cord immediately.
7. Your unit is for use on less than 150 volts and it has a plug that looks Fig. "A"
8. This machine is intended for use on a circuit that has an outlet that looks like the one in illustration (A). The machine has a grounding plug that looks like the plug in illustration (A). A temporary adapter, which looks like the adapter in illustration (B) and (C), may be used to connect the plug to a two pole receptacle, as shown in illustration (B), if a properly grounded outlet is not available. The temporary adaptor should only be used until a properly grounded outlet can be installed by a qualified electrician. The green coloured rigid ear plug and the like extending from the adapter, must be connected to a permanent ground such as a properly grounded outlet box.

NOTE: The type of electrical plug and receptacle differs from country to country.

CAUTION: In Canada, only the grounding shown in figure (A) is acceptable. The extension cord should be a CSA certified S.J.T. type or something better.

CAUTION: In Australia, only the grounding shown in figure (D) is acceptable. The extension cord should be SSA certified.



EXTENSION CORDS

Extension Cords

WARNING : The use of damaged cords can shock, burn or electrocute.

Replace damaged or worn cords immediately. The table shows the correct size to use, depending on cord length and nameplate amperage rating of tool. If in doubt, use the next heavier gauge. An undersized cord will cause a drop in line voltage, resulting in loss of power and over-heating.

NOTE : The smaller the gauge number, the heavier the cord. Use only three-wire extension cords with three-hole receptacles, which accept the tool plug and have three-prong grounding-type plugs. Three-wire extension cords are available.

WARNING :

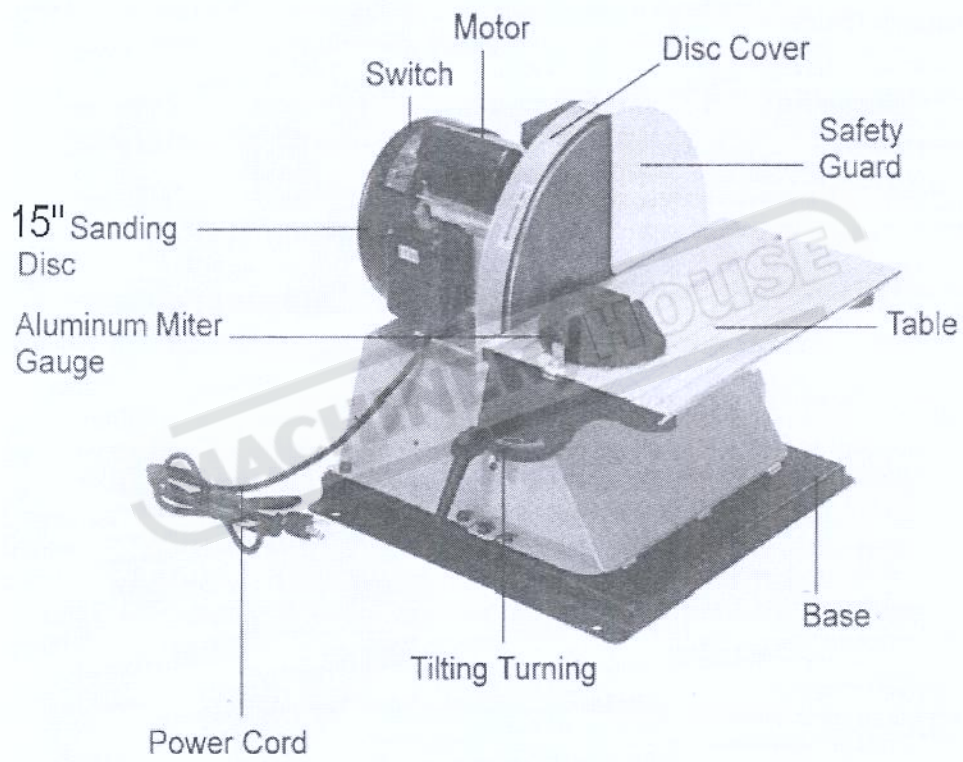
1. Make sure the sanding belt or disc is not torn or loose.
2. Avoid kickback by sanding in accordance with directional arrows, sand on the downward side of the disc. Sanding on the upward side could cause the workpiece to fly up causing injury.
3. Always maintain a maximum clearance of 1.6mm between the table and the sanding disc.
4. Always wear eye protection when operating the sander.
5. The work table is the surface on which the workpiece rests when performing a sanding operation.
6. Transporting / Carrying the machinery by holding the handle bar by one person.

(North American Only)
Recommended Minimum Gauge for Cord Extensions
for Portable Electric Tools

Wire Gauge Chart A. W. G.					
Name Plate Amps.	Cord Length in Feet				
	120V	25	50	100	150
3-6		18	16	16	14
6-8		18	16	14	12
8-10		18	16	14	12
10-12		16	16	14	12
12-16		14	12	Not Recommended	

MACHINERY DATA

WITH UL & CSA APPROVED



HOW TO REPLACE THE 15" SANDING PAPER

WARNING:

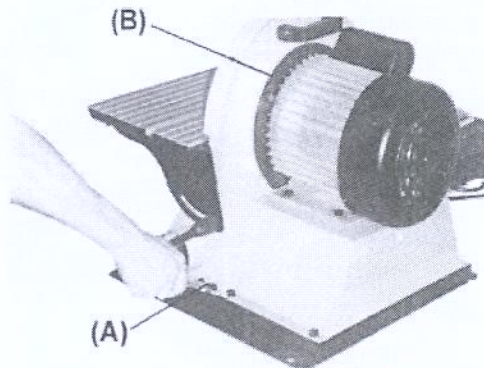
Make sure tool is disconnected from power supply while motor is being mounted, connected or reconnected.

Step 1:

To change the sanding paper, please loosen the four-screw (A) (B), which are on disc cover left and right side and motor.

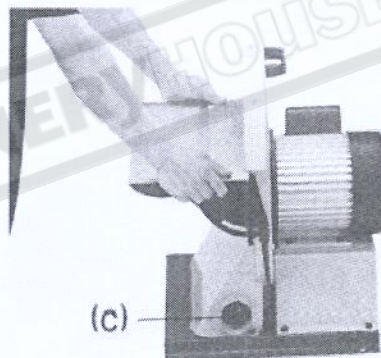
(A) screws are on the left and right side of disc cover.

(B) screws are the left and right side of motor.



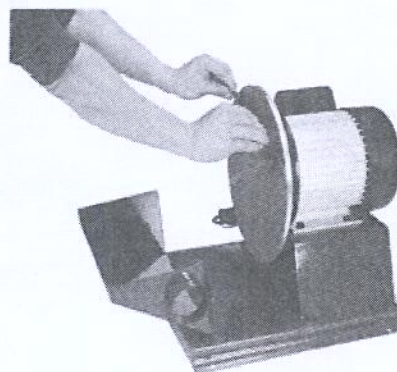
Step 2:

Take off the disc cover with table. Then loosen the two-screw (C), which are on the dust hood cover left and right side.



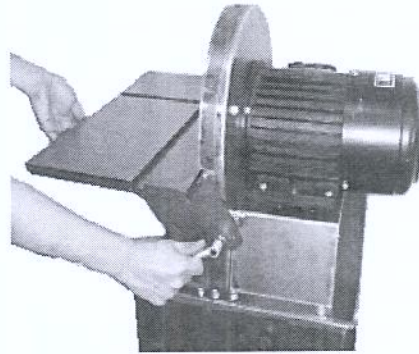
Step 3:

Open the dust hood cover, then you can replace the 15" sanding paper easily.



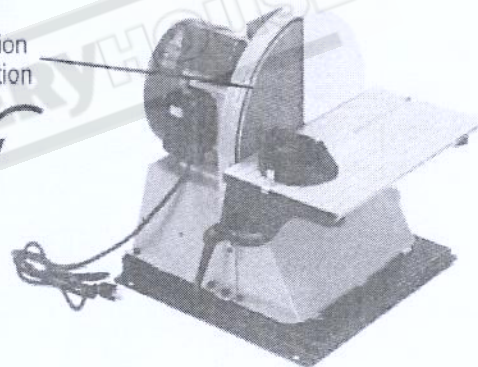
HOW TO ADJUST TABLE'S ANGLE

Losing the knob (P/NO.30).
And adjusting the angle,
then tighten the knob.

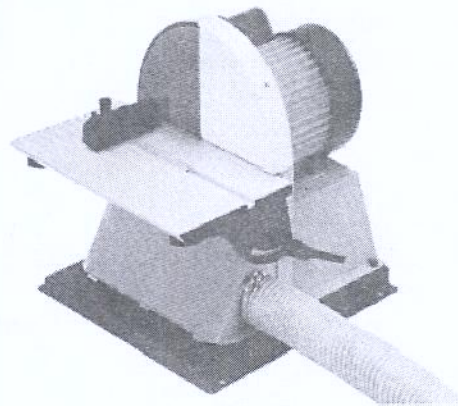


When operating the machinery,
please ensure the direction of
rotation. (Reversing)

Rotation
Direction

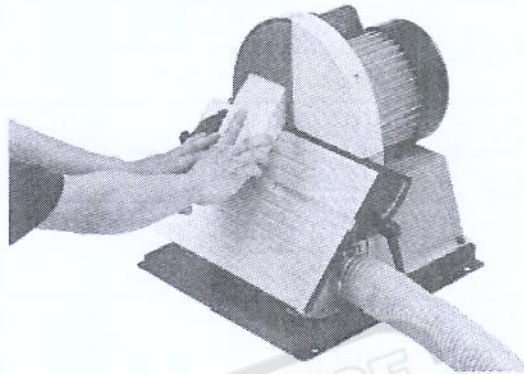


Before turning on the switch,
please make sure to put on the
flexible hose into the dust hood,
4", and with hose clamp.

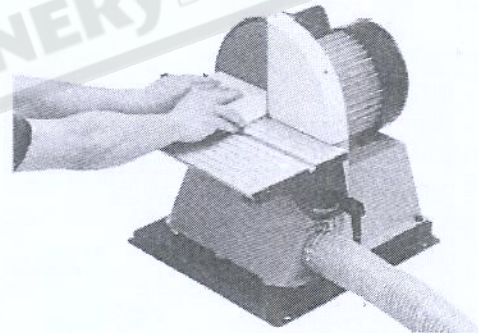


Operation

Operation example 1 BEVEL SANDING



Operation example 2 SURFACE SANDING



NOISE DATA

- A- weighted equivalent sound pressure level at the operator's ear is
 $L_{a.eq}=95.7 \text{ dB(A)}$
The sound power level emitted by the tool is $L_{w.eq}=97.9 \text{ dB(A)}$

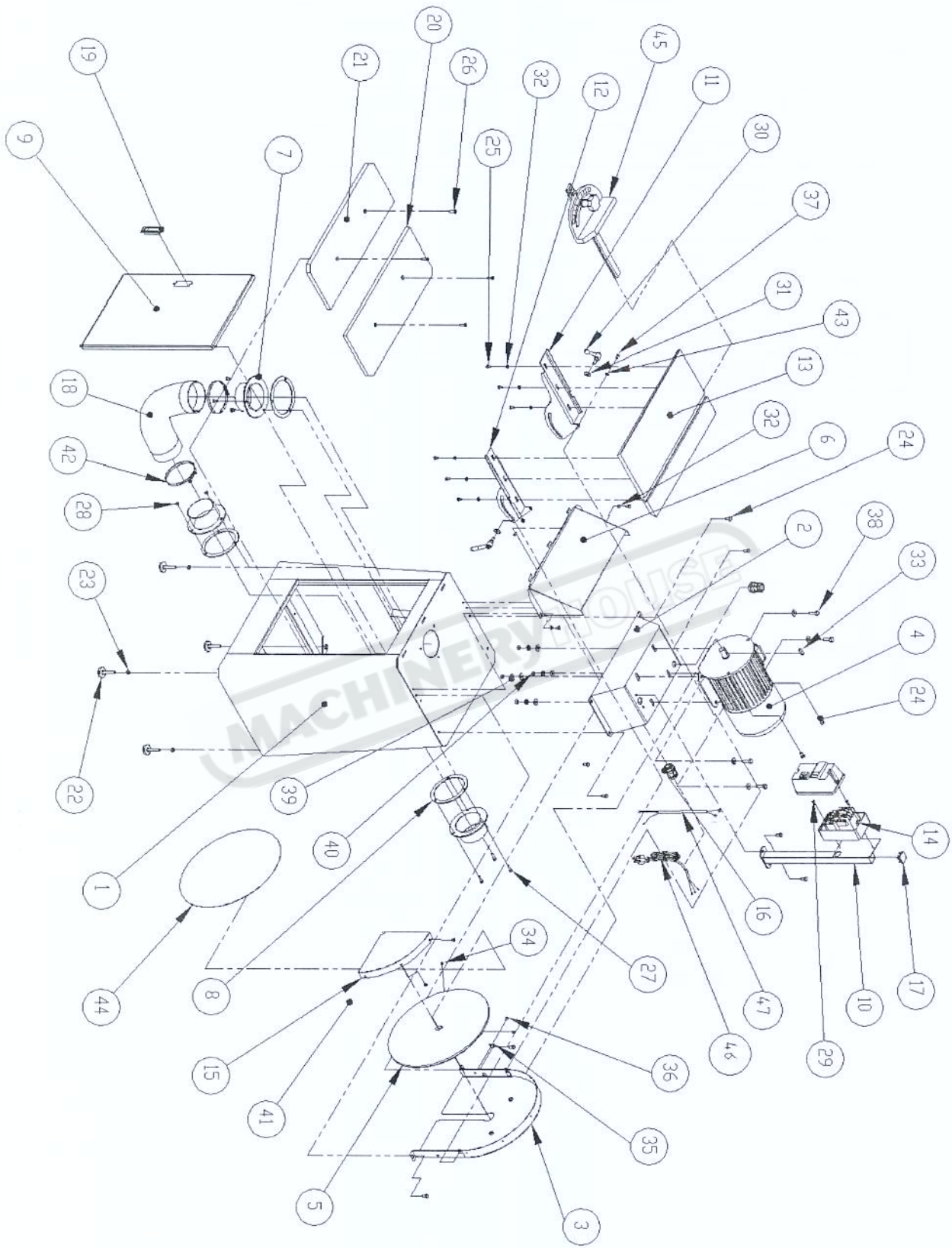
PARTS LIST

PART NO	DESCRIPTION	SPECIFICATION	Q'TY
1	Base		1
2	Motor Base		1
3	Disc Cover		1
4	Motor	2HP	1
5	Disc	15"Cast Iron	1
6	Dust Hood Cover		1
7	Dust Port	4"	3
8	Foam	4"	3
9	Base Door		1
10	Switch Base		1
11	Right Tilting Turning		1
12	Left Tilting Turning		1
13	Cast Iron Table	508*307*15mmCast Iron	1
14	Switch Box		1
15	Safety Guard		1
16	Conduit Connector	PG13.5-08	2
17	Bung	32*32mm	1
18	Flexible Hose	4"	1
19	Lock		1
20	Wood Board	15*530*214.5mm	1
21	Wood Board	15*530*200.5mm	1
22	Screw-Mat	3/8*2"	4
23	Nut	3/8"	4
24	Hex Head Screw	M8*16	10
25	Hex Head Screw	M6*12	11
26	Flat Head Screw	M6*20	4
27	Cap Screw	M6*30	3
28	Nut	M6	3
29	Philips Head Screw	M4*12	2
30	Handle	M8*16	2
31	Washer	M8*18	2
32	Washer	1/4"	11
33	Key	7*7*25	1
34	Set Screw	M8*10	2

PARTS LIST

PART NO	DESCRIPTION	SPECIFICATION	Q'TY
35	Pointer		1
36	Philips Head Screw	M5*5	1
37	Philips Head Screw	M6*10	2
38	Hex Head Screw	M8*25	4
39	Washer	M8*18	16
40	Nut	M8	4
41	Philips Head Screw	M5*5	3
42	Tie	4"	3
43	Lock Washer	M6	2
44	Sanding Paper	15"#80	1
45	Miter Gauge		1
46	Power Cord		1
47	Motor Cord		1

MACHINERYHOUSE



ORDERING REPLACEMENT PARTS

Replacement parts may be ordered from your local distributor. When ordering replacement parts, always provide the following information :

1. The model number and serial number of the 15" disc sander.
2. The parts number.
3. The parts name.
4. The desired quantity of the part.

TROUBLE SHOOTING

TROUBLE	PROBABLE CAUSE	CORRECTION
Motor does not run when power switch is pressed "ON"	<ol style="list-style-type: none"> 1. Switch is burnt out. 2. Connection wire is loose or damaged. 	<ol style="list-style-type: none"> 1. Replace the switch. 2. Tighten wire or replace wire.
Motor does not run at full speed.	<ol style="list-style-type: none"> 1. Power voltage is too low. 2. Motor is damaged. 	<ol style="list-style-type: none"> 1. Test voltage. 2. Check and repair motor
Motor does not reach full power.	<ol style="list-style-type: none"> 1. Incorrect power wiring. 2. Overloaded. 	<ol style="list-style-type: none"> 1. Replace with the correct size of the power wiring. 2. Reduce load.
Motor overheating	<ol style="list-style-type: none"> 1. Motor voltage is different 2. Motor is damaged 	<ol style="list-style-type: none"> 1. Check the voltage label 2. Check and repair motor



WARNING

General Machinery Safety Instructions

Machinery House
requires you to read this entire Manual before using this machine.

- 1. Read the entire Manual before starting machinery.** Machinery may cause serious injury if not correctly used.
- 2. Always use correct hearing protection when operating machinery.** Machinery noise may cause permanent hearing damage.
- 3. Machinery must never be used when tired, or under the influence of drugs or alcohol.** When running machinery you must be alert at all times.
- 4. Wear correct Clothing.** At all times remove all loose clothing, necklaces, rings, jewelry, etc. Long hair must be contained in a hair net. Non-slip protective footwear must be worn.
- 5. Always wear correct respirators around fumes or dust when operating machinery.** Machinery fumes & dust can cause serious respiratory illness. Dust extractors must be used where applicable.
- 6. Always wear correct safety glasses.** When machining you must use the correct eye protection to prevent injuring your eyes.
- 7. Keep work clean and make sure you have good lighting.** Cluttered and dark shadows may cause accidents.
- 8. Personnel must be properly trained or well supervised when operating machinery.** Make sure you have clear and safe understanding of the machine you are operating.
- 9. Keep children and visitors away.** Make sure children and visitors are at a safe distance for you work area.
- 10. Keep your workshop childproof.** Use padlocks, Turn off master power switches and remove start switch keys.
- 11. Never leave machine unattended.** Turn power off and wait till machine has come to a complete stop before leaving the machine unattended.
- 12. Make a safe working environment.** Do not use machine in a damp, wet area, or where flammable or noxious fumes may exist.
- 13. Disconnect main power before service machine.** Make sure power switch is in the off position before re-connecting.
- 14. Use correct amperage extension cords.** Undersized extension cords overheat and lose power. Replace extension cords if they become damaged.
- 15. Keep machine well maintained.** Keep blades sharp and clean for best and safest performance. Follow instructions when lubricating and changing accessories.
- 16. Keep machine well guarded.** Make sure guards on machine are in place and are all working correctly.
- 17. Do not overreach.** Keep proper footing and balance at all times.
- 18. Secure workpiece.** Use clamps or a vice to hold the workpiece where practical. Keeping the workpiece secure will free up your hand to operate the machine and will protect hand from injury.
- 19. Check machine over before operating.** Check machine for damaged parts, loose bolts, Keys and wrenches left on machine and any other conditions that may effect the machines operation. Repair and replace damaged parts.
- 20. Use recommended accessories.** Refer to instruction manual or ask correct service officer when using accessories. The use of improper accessories may cause the risk of injury.
- 21. Do not force machinery.** Work at the speed and capacity at which the machine or accessory was designed.
- 22. Use correct lifting practice.** Always use the correct lifting methods when using machinery. Incorrect lifting methods can cause serious injury.
- 23. Lock mobile bases.** Make sure any mobile bases are locked before using machine.
- 24. Allergic reactions.** Certain metal shavings and cutting fluids may cause an allergic reaction in people and animals, especially when cutting as the fumes can be inhaled. Make sure you know what type of metal and cutting fluid you will be exposed to and how to avoid contamination.
- 25. Call for help.** If at any time you experience difficulties, stop the machine and call you nearest branch service department for help.



WARNING

Linisher/Disc Sander Safety Instructions

Machinery House
requires you to read this entire Manual before using this machine.

- 1. Maintenance.** Make sure the sander is turned off and disconnect from the main power supply and make sure all moving parts have come to a complete stop before any inspection, adjustment or maintenance is carried out.
- 2. Sander Condition.** Sander must be maintained for a proper working condition. Never operate a sander that has damaged or worn parts. Scheduled routine maintenance should be performed on a scheduled basis.
- 3. Disc/Belt Condition.** Never operate a sander with a damaged or badly worn disc or belt. Replace if required.
- 4. Disc/Belt Rotation.** Be aware of the Disc and Belt rotation when sanding.
- 5. Hand Hazard.** Keep hands and fingers clear from moving parts. Serious injury can occur.
- 6. Leaving a sander Unattended.** Always turn the sander off and make sure all moving parts have come to a complete stop before leaving the sander. Do not leave sander running unattended for any reason.
- 7. Avoiding Entanglement.** Sander guards must be used at all times. Remove loose clothing, belts, or jewelry items. Never wear gloves while machine is in operation. Tie up long hair and use the correct hair nets to avoid any entanglement with the sander moving parts.
- 8. Understand the machines controls.** Make sure you understand the use and operation of all controls.
- 9. Power outage.** In the event of a power failure during use of the Linisher, turn off all switches to avoid possible sudden start up once power is restored.
- 10. Work area hazards.** Keep the area around the sander clean from oil, tools, chips. Pay attention to other persons in the area and know what is going on around the area to ensure unintended accidents.
- 11. Workpiece Handling.** Never hold small workpieces with your fingers during a cut. Always support/feed the workpiece with push stick, table support, vice, or some sort of clamping fixture.
- 12. Hearing protection and hazards.** Always wear hearing protection as noise generated from sander and workpiece vibration can cause permanent hearing loss over time.
- 13. Dust hazards.** Always wear dust mask or respirator and eye protection when sanding. Use a dust collector as well to keep dust to a minimum.
- 14. Feeding material.** Always feed material evenly and smoothly against the direction of rotation. Never use excessive force when sanding or serious injury can occur.
- 15. Job Material.** Check material prior to sanding for nails, staple and other objects that make cause any danger when sanding.
- 16. Starting position/speed.** Never turn the sander on when the workpiece is resting on the disc or belt. Allow disc and belt to reach full speed before sanding.
- 17. Disc sanding.** Keep workpiece down toward the table whilst sanding. Workpiece may cause serious injury if not held correctly.
- 18. Guards.** Do not operate sander without the correct guards in place.
- 19. Stopping the Disc/Belt.** Do not stop or slow the Disc or Belt with your hand or workpiece. Allow the machine to stop on its own.
- 20. Wood dust may cause allergic reactions.** Make sure you know what type of dust you are exposed to as it may cause you an allergic reaction. Always wear an approved respirator.
- 21. Call for help.** If at any time you experience difficulties, stop the machine and call your nearest branch service department for help.

PLANT SAFETY PROGRAM

NEW MACHINERY HAZARD IDENTIFICATION, ASSESSMENT & CONTROL

Linisher-Disc Sander

Developed in Co-operation Between A.W.I.S.A and Australia Chamber of Manufactures
This program is based upon the Australian Worksafe Standard for Plant(NOHSC:1010-1994)

Item No.	Hazard Identification	Hazard Assessment	Risk Control Strategies <small>(Recommended for Purchase / Buyer / User)</small>
A	ENTANGLEMENT	HIGH	Eliminate, avoid loose clothing / Long hair etc.
C	CUTTING, STABBING, PUNCTURING	MEDIUM	Isolate power to machine prior to any checks or maintenance being carried out. Do not adjust or clean machine until the machine has fully stopped.
D	SHEARING	MEDIUM	Always keep gap between table and disc to a minimum. Make sure all guard are secured shut when machine is on.
E	FRICITION	MEDIUM	Keep hands and body clear from sanding disc/belt.
F	STRIKING	MEDIUM	Wear appropriate protective clothing. Wear safety glasses. Stand clear of moving parts on machine.
H	ELECTRICAL	MEDIUM	Remove all loose objects around moving parts. Ensure belts are in good condition and at correct tension. Always sand on the down stroke of the disc's rotation.
O	OTHER HAZARDS, NOISE, DUST.	LOW	All electrical enclosures should only be opened with a tool that is not to be kept with the machine. Wear hearing protection as required. Must be connected to a dust extraction.
Plant Safety Program to be read in conjunction with manufactures instructions			




www.machineryhouse.com.au



www.machineryhouse.co.nz

Authorised and signed by:
Safety officer:

Manager:


.....

.....

Revised Date: Aug-08